



### Dishwashing

EVO Generation - Advance

## DISHWASHER AD-505

<u>DIMENSIONS</u>		<u>Article</u>	<u>Packed</u>
Length	mm	<b>600,00</b>	<b>690,00</b>
Depth	mm	<b>610,00</b>	<b>775,00</b>
Height	mm	<b>830,00</b>	<b>1.020,00</b>
Weigth	Kg	<b>70,00</b>	<b>78,00</b>
Volumen	m3		<b>0,55</b>

### ELECTRICITY

<u>Electric power</u>	KW	
230V -1+N		<b>2x6+T - 40 A</b>
230V - III		<b>3x2,5+T - 25 A</b>
400V - III+N		<b>4x2,5+T - 20 A</b>

### WATER

Water consumption (lit/h)	<b>144,00</b>
Pressure (Kg/cm2)	<b>2 ÷ 4</b>

### GAS

Not used

### STEAM

Not used

### AIR

Not used

### LEVEL SOUND

(dB) **63,00**

### DISHWASHER AD-505

Front loading dishwasher - EVO Generation - Advance range.  
 Hourly production: 60 baskets/hour - 1080 dishes/hour.  
 Clearance (max ware height): 380 mm.  
 Valid for GN trays.  
 Wash cycles: 60" - 120" - 180".

Made of stainless steel.

Full Double skin body to isolate machine's noise from the environment . The door has double skin with special pressed isolation material, and stamped finishing to improve noise isolation and to keep the heat inside the machine. Rock counterbalanced door. Double spring and stainless steel hinge system. The case allows the placement of the machine under surfaces of 850 mm height.

Double rotating wash and rinse systems, above and below, made of stainless steel.

Tray filters on the tank, made of AISI-304 stainless steel.

Wash pump: 600 W.

Rinse pump: 260 W. Air break system.

Drain pump: 30 W. Drainage cycle.

Tank with 0.8 kW heating element.

Tank capacity: 14 litres.

Boiler with adjustable power: 1.8 / 2.8 / 3.7 / 5.6 kW.

Boiler capacity: 7 litres.

Water consumption: 2.4 litres/rinse.

Thermostatic temperature control: washing at 60 °C and rinsing at 90 °C.

Thermo stop system that guarantees minimum rinsing temperature of 85 °C.

Security thermostats.

Built-in automatic rinse dispenser and detergent doser.

Safety magnetic switch for door opening.

Adjustable legs.

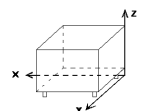
Water protection rating: IPX5

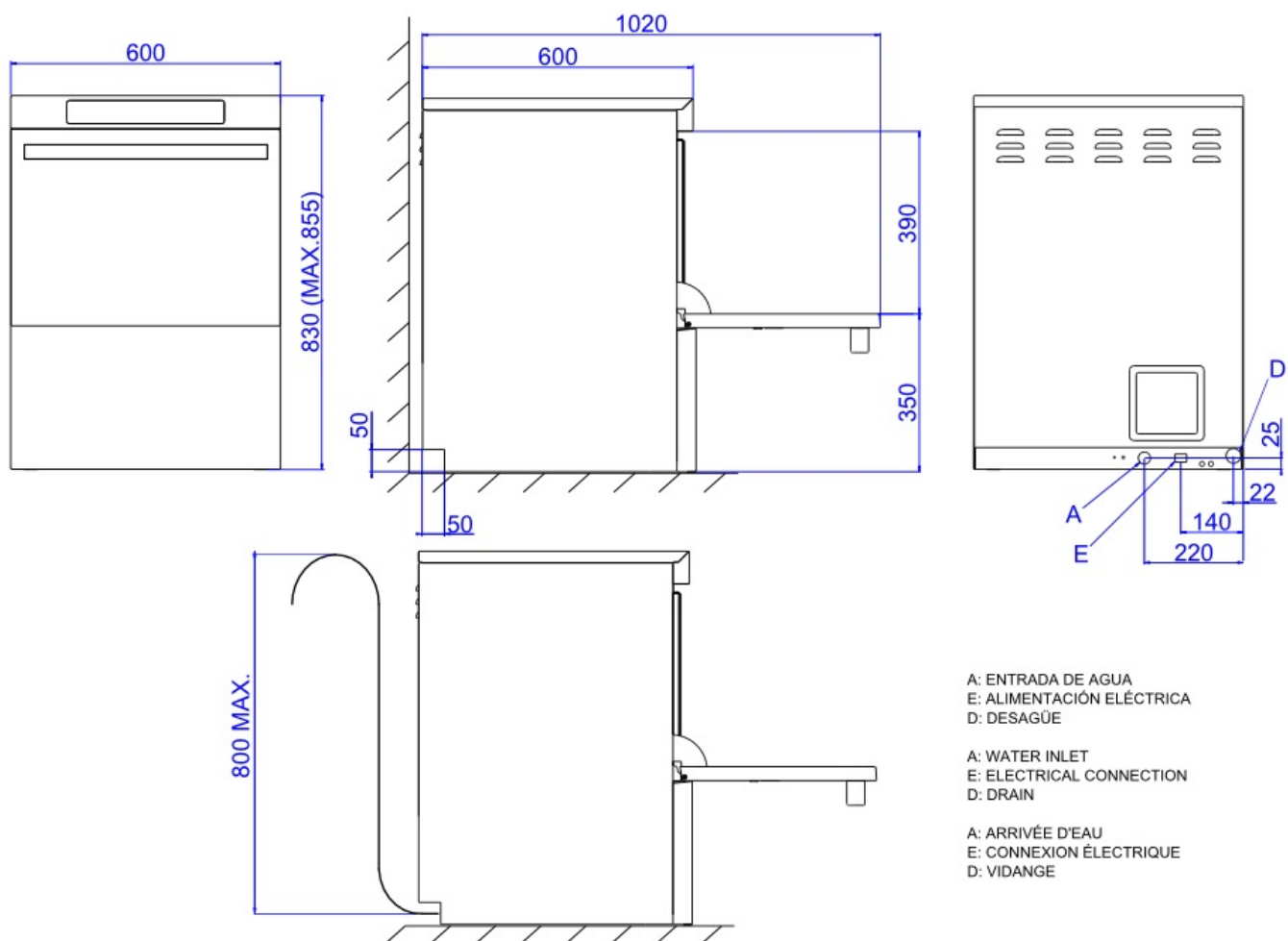
Total power: multipower 2.4 ÷ 7.0 kW.

Dimensions: 600 x 600 x 830 mm.

Baskets equipment: 1 x CT-10, 1 x CP-16/18 and 4 cutlery containers.

Connections points	X	Y	Z	Diameter	Information
ELECTRICITY	210	50	65		
SOFT COLD WATER	305	50	65	3/4"	
DRAIN	370	50	65	30 x 25	





Modelos "B" con bomba de vaciado

"B" models with drain pump

Modèles "B" avec pompe de vidange