



Catalogue :

CABINETS GLOBE

Chapter :

GLOBE ADVANCE CABINETS

Article :

EAAFP-801 RI 230V 1N 50Hz

Code:

19038342

<u>DIMENSIONS AND WEIGHTS</u>		<u>Net dimensions</u>	<u>Packed</u>
Length	mm	693,00	860,00
Depth	mm	856,00	730,00
Height	mm	2.040,00	2.063,00
Weight	kg	153,00	160,00
Volume	m3	1,18	1,30
<u>ELECTRICITY</u>		50Hz	
	230V		
	Power		0,16 kW
Connections	230 V. 1+N+T		
	230 V. III+T		
	400 V. III+N+T		
<u>GAS</u>	Not necessary		
<u>WATER</u>	Not necessary		
<u>STEAM</u>	Not necessary		
<u>AIR</u>	Not necessary		
			R-600a
	Refrigeration power		0,309
	Consumption - kW-h	365 d.	314
		24 h	0,86
	Net volume - litres	Refrig.	461
	Internal gross capacity	litres	610
	Climat class	5 Energy Effic.	A
<u>SOUND LEVEL</u>			< 65,00 db
<u>INSTALLATION - CONNECTIONS</u>			Ø

DESCRIPTION

REFRIGERATED CABINET ADVANCE, EAAFP-801

SPECIFICATIONS

High quality austenitic stainless steel inside and outside (included stainless steel back panel).
 80 mm, 40 kg/m3 injected polyurethane isolation.
 Embedded inner tray slides. Storage trays at 23 different levels 55 mm from each other.
 Forced draught cooling system.
 Copper piping and aluminium flaps evaporator.
 HACCP system that keeps running logs.
 Digital display for electronic and digital control of temperature and defrosting.
 Acoustic and visual alarm connected to three sensors at strategic spots. They provide a total control and block the compressor in case of dirt or failure.
 Opened door delay alarm.
 Self closing and stay open doors. When opened less than 90° they close by themselves. When opened more than 135° they stay open.
 Built in drainage to get rid of waste liquids inside the unit.
 Removable plastic covered steel grid shelves (GN 2/1) for easy cleaning. Equipment: 3 shelves per large door.
 Embedded bottom and curved panels inside for easy cleaning and maintenance.
 Height adjustable stainless steel legs.
 Working temperature: from -2 °C up to +8 °C.
 Climatic class 5.
 Inner LED lights with power switch.
 Locks included as a standard in all doors.

Doors: 1
 Energy efficiency: A
 Net capacity: 461 L
 Gross capacity: 610 L
 Cooling power: 310 W
 Electric power: 160 W
 Annual energy consumption: 314 kWh/year
 Coolant: R-600a
 Dimensions: 693x856x2040 mm





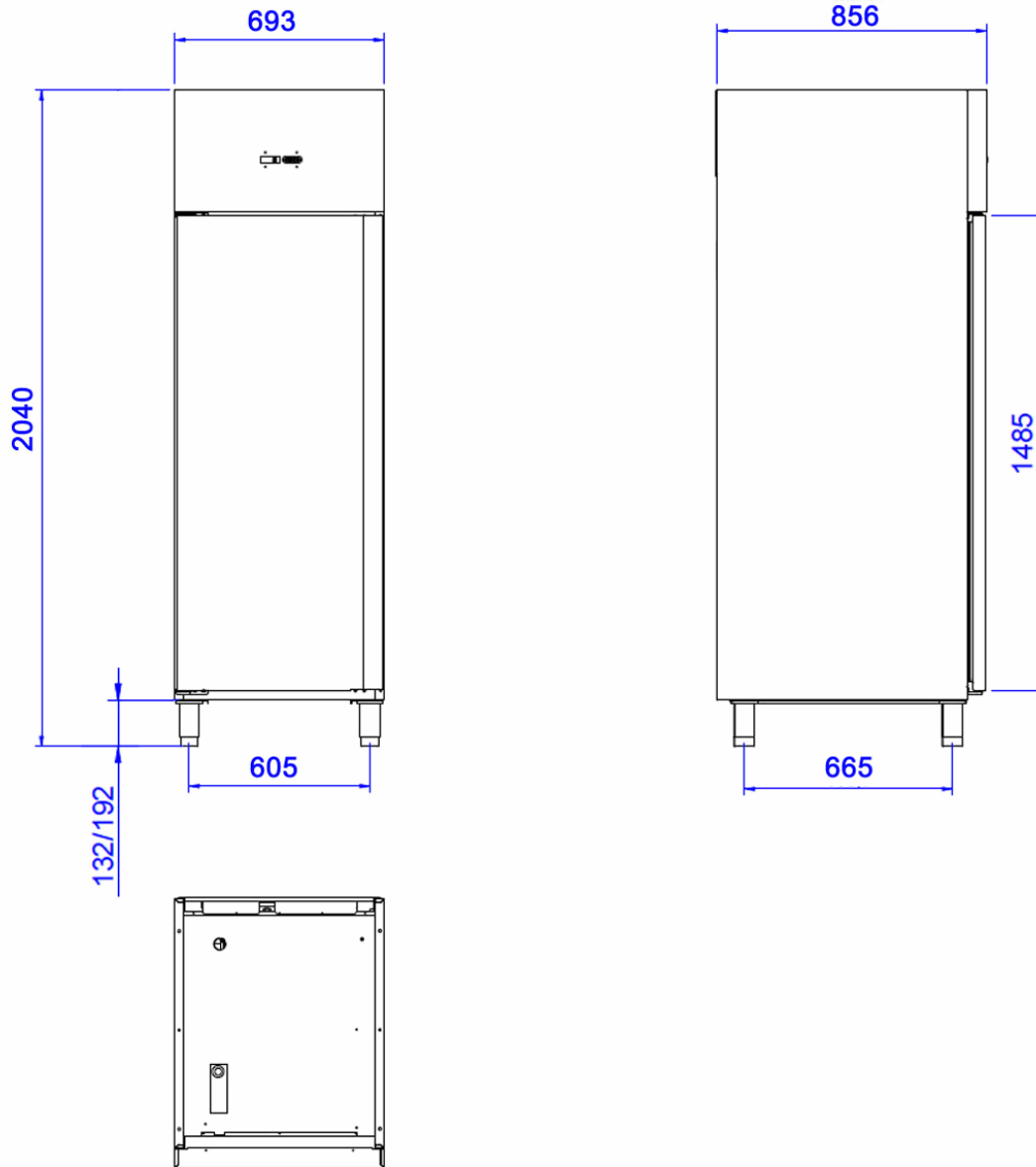
Catalogue :
CABINETS GLOBE

Chapter :
GLOBE ADVANCE CABINETS

Article :
EAAFP-801 RI 230V 1N 50Hz

Code :
19038342

SCHEMA - DIMENSIONS





Catalogue :

CABINETS GLOBE

Chapter :

GLOBE ADVANCE CABINETS

Article :

EAAEP-801 RI 230V 1N 50Hz

Code:

19038343

<u>DIMENSIONS AND WEIGHTS</u>	<u>Net dimensions</u>	<u>Packed</u>
Length	mm	693,00
Depth	mm	856,00
Height	mm	2.040,00
Weight	kg	144,00
Volume	m3	1,21
<u>ELECTRICITY</u>	230V	50Hz
	Power	0,16 kW
Connections	230 V. 1+N+T	
	230 V. III+T	
	400 V. III+N+T	
<u>GAS</u>	Not necessary	
<u>WATER</u>	Not necessary	
<u>STEAM</u>	Not necessary	
<u>AIR</u>	Not necessary	
		R-600a
	Refrigeration power	0,309
	Internal gross capacity litres	610
	Climat class	4
<u>SOUND LEVEL</u>		< 65,00 db
<u>INSTALLATION - CONNECTIONS</u>		Ø

DESCRIPTION

REFRIGERATED DISPLAY CABINET ADVANCE, EAAEP-801

SPECIFICATIONS

High quality austenitic stainless steel inside and outside (included stainless steel back panel).
 80 mm, 40 kg/m3 injected polyurethane isolation.
 Embedded inner tray slides. Storage trays at 23 different levels 55 mm from each other.
 Forced draught cooling system.
 Copper piping and aluminium flaps evaporator.
 HACCP system that keeps running logs.
 Digital display for electronic and digital control of temperature and defrosting.
 Acoustic and visual alarm connected to three sensors at strategic spots. They provide a total control and block the compressor in case of dirt or failure.
 Opened door delay alarm.
 Self-closing and stay open doors. When opened less than 90° they close by themselves. When opened more than 135° they stay open.
 Built in drainage to get rid of waste liquids inside the unit.
 Removable plastic covered steel grid shelves (GN 2/1) for easy cleaning. Equipment: 3 shelves per large door.
 Embedded bottom and curved panels inside for easy cleaning and maintenance.
 Height adjustable stainless steel legs.
 Working temperature: from -2 °C up to +8 °C.
 Climatic class 4.
 Double pane door and anodised aluminium frame with double vacuum chamber.
 Inner LED lights with power switch.
 Locks included as a standard in all doors.

Doors: 1
 Gross capacity: 610 L
 Cooling power: 310 W
 Electric power: 160 W
 Coolant: R-600a
 Dimensions: 693x856x2040 mm





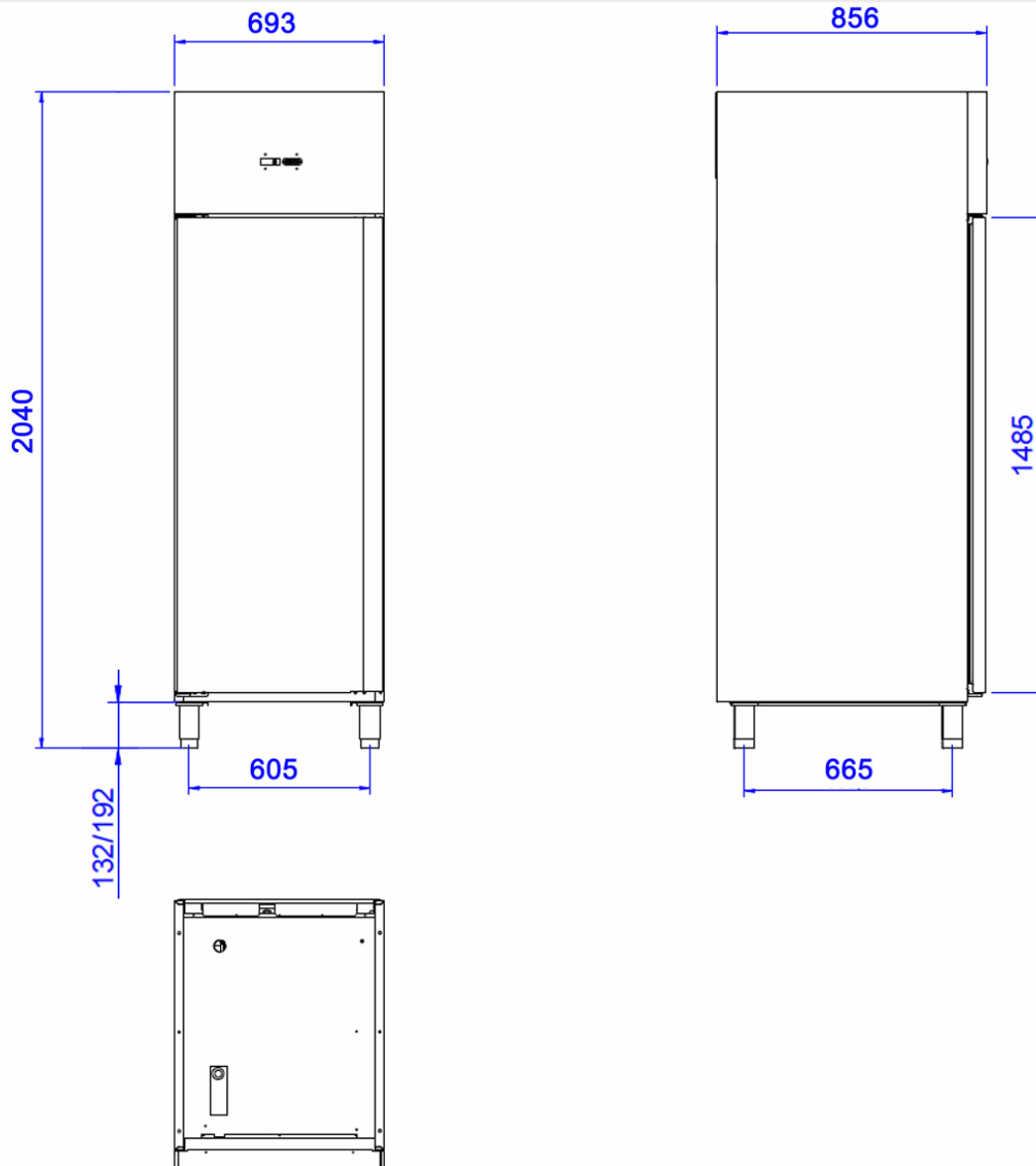
Catalogue :
CABINETS GLOBE

Chapter :
GLOBE ADVANCE CABINETS

Article :
EAAEP-801 RI 230V 1N 50Hz

Code :
19038343

SCHEMA - DIMENSIONS





Catalogue :

CABINETS GLOBE

Chapter :

GLOBE ADVANCE CABINETS

Article :

EAAFN-801 RI 230V 1N 50Hz

Code:

19038344

<u>DIMENSIONS AND WEIGHTS</u>		<u>Net dimensions</u>	<u>Packed</u>
Length	mm	693,00	860,00
Depth	mm	856,00	730,00
Height	mm	2.040,00	2.063,00
Weight	kg	153,00	160,00
Volume	m3	1,18	1,30
<u>ELECTRICITY</u>		230V	50Hz
	Power		0,68 kW
Connections	230 V. 1+N+T		
	230 V. III+T		
	400 V. III+N+T		
<u>GAS</u>	Not necessary		
<u>WATER</u>	Not necessary		
<u>STEAM</u>	Not necessary		
<u>AIR</u>	Not necessary		
			R-290
	Refrigeration power		0,364
	Consumption - kW-h	365 d.	2.139
		24 h	5,86
	Net volume - litres		
		Congel.	461
	Internal gross capacity	litres	610
	Climat class	5	Energy Effic. D
<u>SOUND LEVEL</u>			< 65,00 db
<u>INSTALLATION - CONNECTIONS</u>			<u>Ø</u>

DESCRIPTION

FREEZER CABINET ADVANCE, EAAFN-801

SPECIFICATIONS

High quality austenitic stainless steel inside and outside (included stainless steel back panel).
 80 mm, 40 kg/m3 injected polyurethane isolation.
 Embedded inner tray slides. Storage trays at 23 different levels 55 mm from each other.
 Forced draught cooling system.
 Copper piping and aluminium flaps evaporator.
 HACCP system that keeps running logs.
 Digital display for electronic and digital control of temperature and defrosting.
 Acoustic and visual alarm connected to three sensors at strategic spots. They provide a total control and block the compressor in case of dirt or failure.
 Opened door delay alarm.
 Self-closing and stay open doors. When opened less than 90° they close by themselves. When opened more than 135° they stay open.
 Built in drainage to get rid of waste liquids inside the unit.
 Removable plastic covered steel grid shelves (GN 2/1) for easy cleaning. Equipment: 3 shelves per large door.
 Embedded bottom and curved panels inside for easy cleaning and maintenance.
 Height adjustable stainless steel legs.
 Working temperature: from -18 °C up to -22 °C.
 Climatic class 5.
 Inner LED lights with power switch.
 Locks included as a standard in all doors.

Doors: 1
 Energy efficiency: D
 Net capacity: 461 L
 Gross capacity: 610 L
 Cooling power: 280 W
 Electric power: 350 W
 Annual energy consumption: 2139 kWh/year
 Coolant: R-290
 Dimensions: 693x856x2040 mm





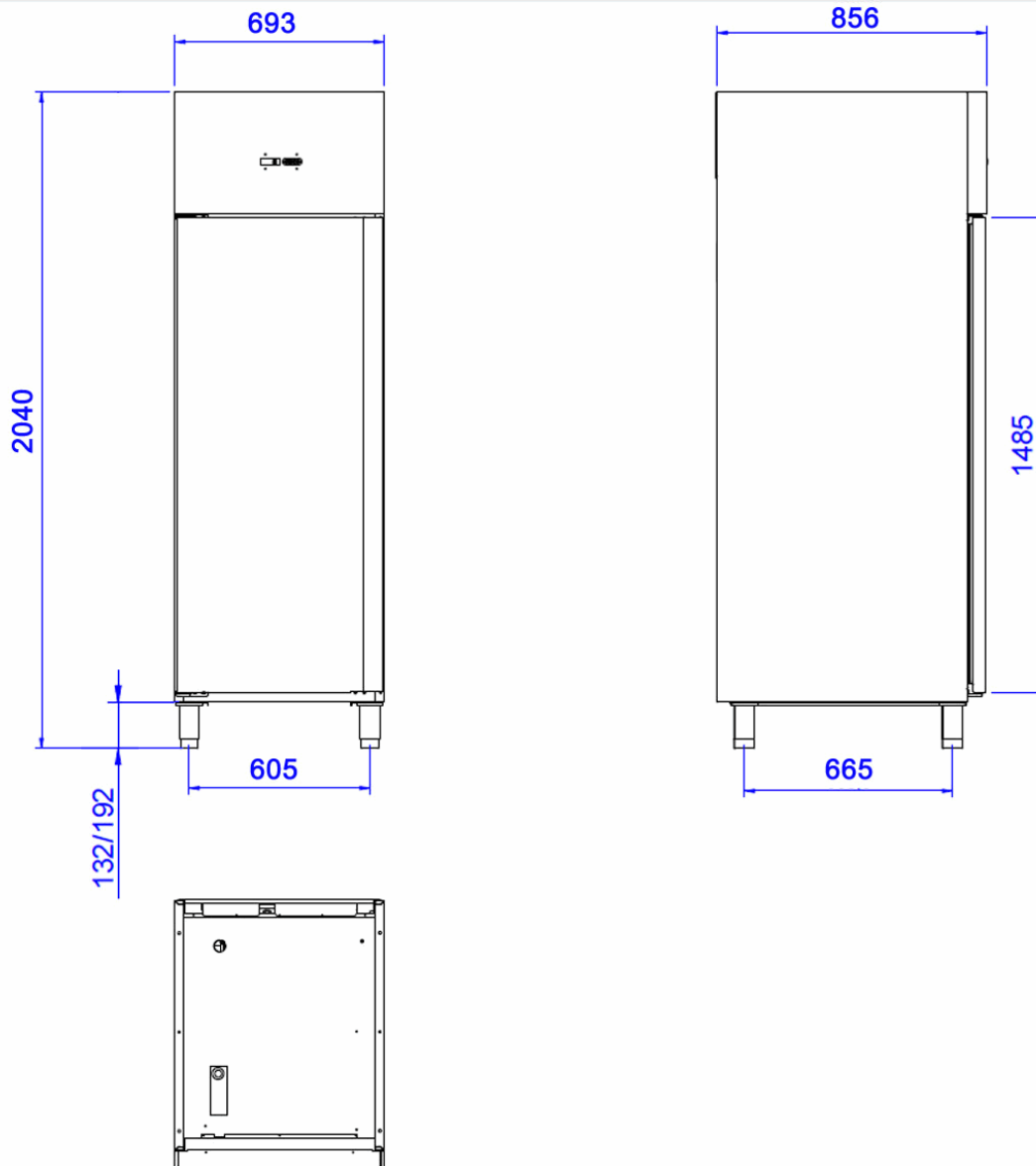
Catalogue :
CABINETS GLOBE

Chapter :
GLOBE ADVANCE CABINETS

Article :
EAAFN-801 RI 230V 1N 50Hz

Code :
19038344

SCHEMA - DIMENSIONS





Catalogue :

CABINETS GLOBE

Chapter :

GLOBE ADVANCE CABINETS

Article :

EAAFP-1602 RI 230V 1N 50Hz

Code:

19038352

<u>DIMENSIONS AND WEIGHTS</u>		<u>Net dimensions</u>	<u>Packed</u>
Length	mm	1.358,00	860,00
Depth	mm	856,00	1.430,00
Height	mm	2.040,00	2.063,00
Weight	kg	227,00	240,00
Volume	m3	2,31	2,54
<u>ELECTRICITY</u>		50Hz	
	Power		0,16 kW
Connections	230 V. 1+N+T	2X1,5+T - 6A	
	230 V. III+T	OPC3X4+T-32A	
	400 V. III+N+T	4X4MM2+T	
<u>GAS</u>	Not necessary		
<u>WATER</u>	Not necessary		
<u>STEAM</u>	Not necessary		
<u>AIR</u>	Not necessary		
			R-600a
	Refrigeration power		0,309
	Consumption - kW-h	365 d.	558
		24 h	1,53
	Net volume - litres	Refrig.	922
	Internal gross capacity	litres	1.332
	Climat class	4	Energy Effic. B
<u>SOUND LEVEL</u>			< 65,00 db
<u>INSTALLATION - CONNECTIONS</u>			Ø
	▶ ELECTRICITY	SI	

DESCRIPTION

REFRIGERATED CABINET ADVANCE, EAAFP-1602

SPECIFICATIONS

High quality austenitic stainless steel inside and outside (included stainless steel back panel).
 80 mm, 40 kg/m3 injected polyurethane isolation.
 Embedded inner tray slides. Storage trays at 23 different levels 55 mm from each other.
 Forced draught cooling system.
 Copper piping and aluminium flaps evaporator.
 HACCP system that keeps running logs.
 Digital display for electronic and digital control of temperature and defrosting.
 Acoustic and visual alarm connected to three sensors at strategic spots. They provide a total control and block the compressor in case of dirt or failure.
 Opened door delay alarm.
 Self closing and stay open doors. When opened less than 90° they close by themselves. When opened more than 135° they stay open.
 Built in drainage to get rid of waste liquids inside the unit.
 Removable plastic covered steel grid shelves (GN 2/1) for easy cleaning. Equipment: 3 shelves per large door.
 Embedded bottom and curved panels inside for easy cleaning and maintenance.
 Height adjustable stainless steel legs.
 Working temperature: from -2 °C up to +8 °C.
 Climatic class 4.
 Inner LED lights with power switch.
 Locks included as a standard in all doors.

Doors: 2
 Energy efficiency: B
 Net capacity: 922 L
 Gross capacity: 1332 L
 Cooling power: 310 W
 Electric power: 160 W
 Annual energy consumption: 558 kWh/year
 Coolant: R-600a
 Dimensions: 1358x856x2040 mm





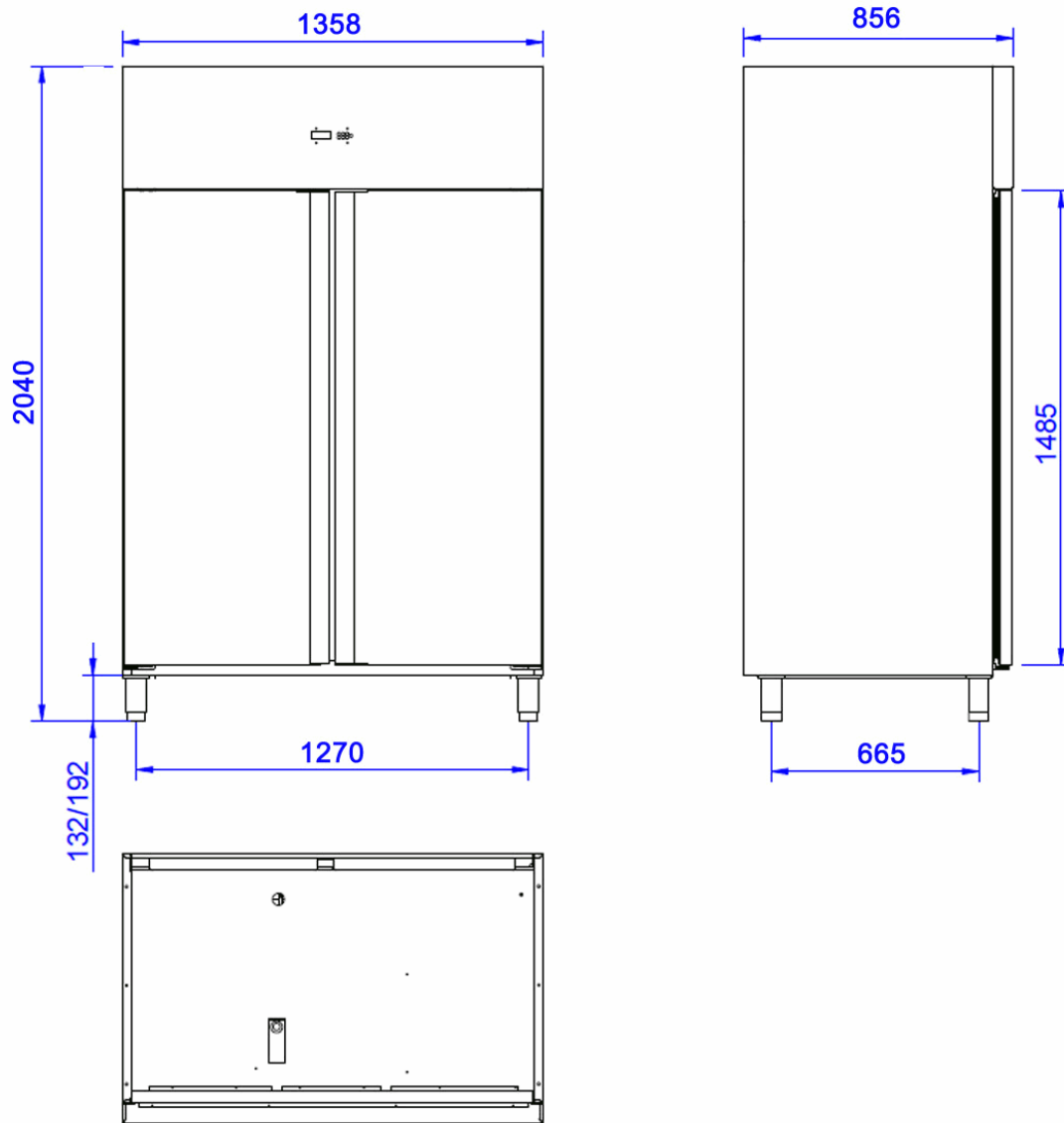
Catalogue :
CABINETS GLOBE

Chapter :
GLOBE ADVANCE CABINETS

Article :
EAAFP-1602 RI 230V 1N 50Hz

Code :
19038352

SCHEMA - DIMENSIONS





Catalogue :

CABINETS GLOBE

Chapter :

GLOBE ADVANCE CABINETS

Article :

EAAEP-1602 RI 230V 1N 50Hz

Code:

19038353

<u>DIMENSIONS AND WEIGHTS</u>		<u>Net dimensions</u>	<u>Packed</u>
Length	mm	1.358,00	860,00
Depth	mm	856,00	1.430,00
Height	mm	2.040,00	2.063,00
Weight	kg	144,00	149,00
Volume	m3	2,37	2,54
<u>ELECTRICITY</u>		230V	50Hz
	Power		0,16 kW
Connections	230 V. I+N+T		
	230 V. III+T		
	400 V. III+N+T		
<u>GAS</u>	Not necessary		
<u>WATER</u>	Not necessary		
<u>STEAM</u>	Not necessary		
<u>AIR</u>	Not necessary		
			R-600a
	Refrigeration power		0,31
	Internal gross capacity litres		1.332
	Climat class	4	
<u>SOUND LEVEL</u>			< 65,00 db
<u>INSTALLATION - CONNECTIONS</u>			<u>Ø</u>

DESCRIPTION

REFRIGERATED DISPLAY CABINET ADVANCE, EAAEP-1602

SPECIFICATIONS

High quality austenitic stainless steel inside and outside (included stainless steel back panel).
 80 mm, 40 kg/m3 injected polyurethane isolation.
 Embedded inner tray slides. Storage trays at 23 different levels 55 mm from each other.
 Forced draught cooling system.
 Copper piping and aluminium flaps evaporator.
 HACCP system that keeps running logs.
 Digital display for electronic and digital control of temperature and defrosting.
 Acoustic and visual alarm connected to three sensors at strategic spots. They provide a total control and block the compressor in case of dirt or failure.
 Opened door delay alarm.
 Self-closing and stay open doors. When opened less than 90° they close by themselves. When opened more than 135° they stay open.
 Built in drainage to get rid of waste liquids inside the unit.
 Removable plastic covered steel grid shelves (GN 2/1) for easy cleaning. Equipment: 3 shelves per large door.
 Embedded bottom and curved panels inside for easy cleaning and maintenance.
 Height adjustable stainless steel legs.
 Working temperature: from -2 °C up to +8 °C.
 Climatic class 4.
 Double pane door and anodised aluminium frame with double vacuum chamber.
 Inner LED lights with power switch.
 Locks included as a standard in all doors.

Doors: 2
 Gross capacity: 1332 L
 Cooling power: 310 W
 Electric power: 160 W
 Coolant: R-600a
 Dimensions: 1358x856x2040 mm





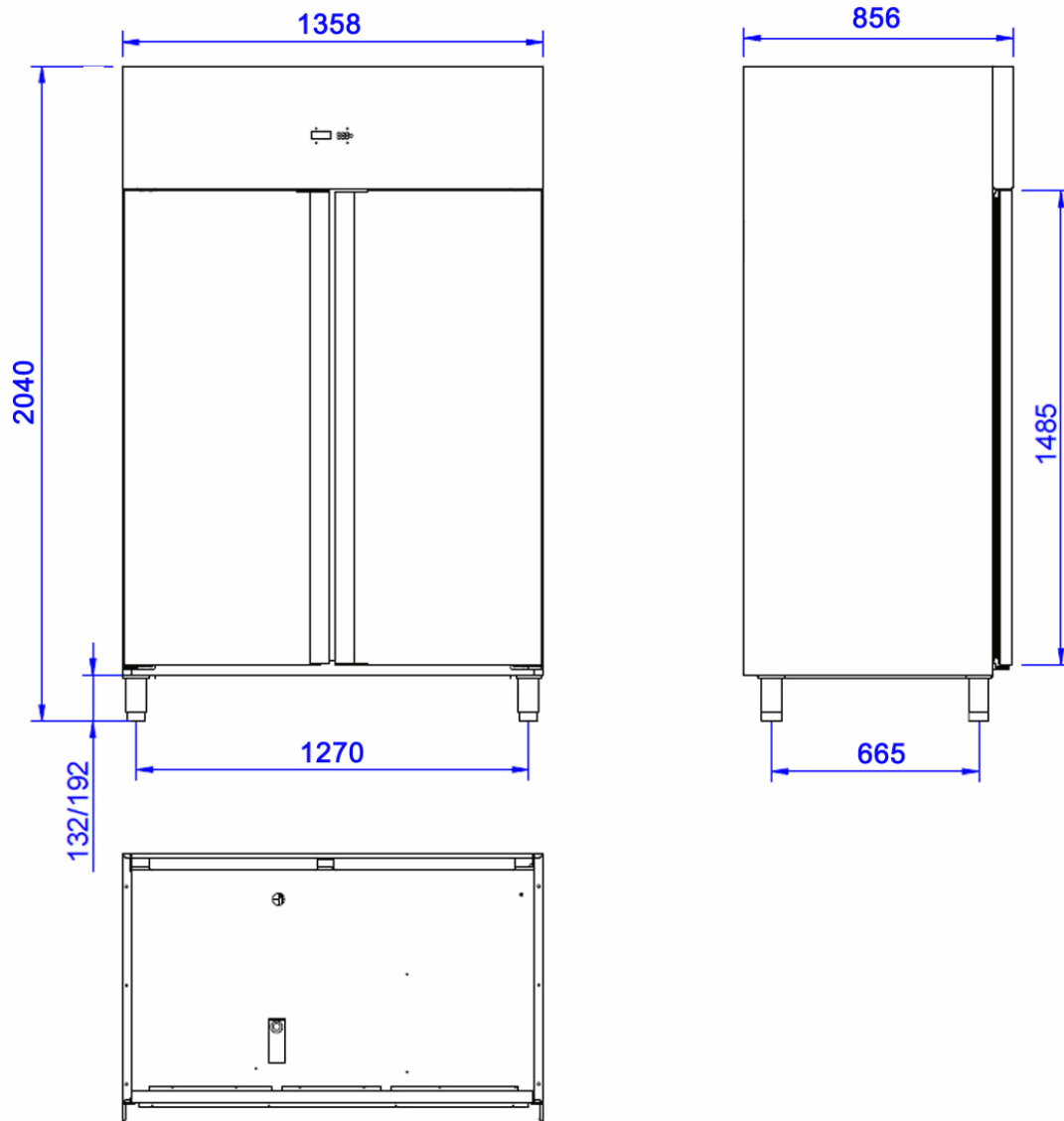
Catalogue :
CABINETS GLOBE

Chapter :
GLOBE ADVANCE CABINETS

Article :
EAAEP-1602 RI 230V 1N 50Hz

Code :
19038353

SCHEMA - DIMENSIONS





Catalogue :

CABINETS GLOBE

Chapter :

GLOBE ADVANCE CABINETS

Article :

EAAFN-1602 RI 230V 1N 50Hz

Code:

19038357

<u>DIMENSIONS AND WEIGHTS</u>		<u>Net dimensions</u>	<u>Packed</u>
Length	mm	1.358,00	860,00
Depth	mm	856,00	1.430,00
Height	mm	2.040,00	2.063,00
Weight	kg	230,00	240,00
Volume	m3	2,37	2,54
<u>ELECTRICITY</u>		230V	50Hz
	Power		0,75 kW
Connections	230 V. 1+N+T		
	230 V. III+T		
	400 V. III+N+T		
<u>GAS</u>	Not necessary		
<u>WATER</u>	Not necessary		
<u>STEAM</u>	Not necessary		
<u>AIR</u>	Not necessary		
			R-290
	Refrigeration power		0,907
	Consumption - kW-h	365 d.	4.924
		24 h	13,49
	Net volume - litres		
		Congel.	922
	Internal gross capacity	litres	1.332
	Climat class	4	Energy Effic. D
<u>SOUND LEVEL</u>			< 65,00 db
<u>INSTALLATION - CONNECTIONS</u>			Ø

DESCRIPTION

FREEZER CABINET ADVANCE, EAAFN-1602

SPECIFICATIONS

High quality austenitic stainless steel inside and outside (included stainless steel back panel).
 80 mm, 40 kg/m3 injected polyurethane isolation.
 Embedded inner tray slides. Storage trays at 23 different levels 55 mm from each other.
 Forced draught cooling system.
 Copper piping and aluminium flaps evaporator.
 HACCP system that keeps running logs.
 Digital display for electronic and digital control of temperature and defrosting.
 Acoustic and visual alarm connected to three sensors at strategic spots. They provide a total control and block the compressor in case of dirt or failure.
 Opened door delay alarm.
 Self-closing and stay open doors. When opened less than 90° they close by themselves. When opened more than 135° they stay open.
 Built in drainage to get rid of waste liquids inside the unit.
 Removable plastic covered steel grid shelves (GN 2/1) for easy cleaning. Equipment: 3 shelves per large door.
 Embedded bottom and curved panels inside for easy cleaning and maintenance.
 Height adjustable stainless steel legs.
 Working temperature: from -18 °C up to -22 °C.
 Climatic class 4.
 Inner LED lights with power switch.
 Locks included as a standard in all doors.

Doors: 2
 Energy efficiency: D
 Net capacity: 922 L
 Gross capacity: 1332 L
 Cooling power: 730 W
 Electric power: 640 W
 Annual energy consumption: 4924 kWh/year
 Coolant: R-290
 Dimensions: 1358x856x2040 mm





Catalogue :
CABINETS GLOBE

Chapter :
GLOBE ADVANCE CABINETS

Article :
EAAFN-1602 RI 230V 1N 50Hz

Code :
19038357

SCHEMA - DIMENSIONS

