



Dishwashing

EVO Generation - Concept

GLASSWASHER CO-400 COLD DD

DIMENSIONS

| | | <u>Article</u> | <u>Packed</u> |
|---------|----|----------------|---------------|
| Length | mm | 470,00 | 530,00 |
| Depth | mm | 520,00 | 680,00 |
| Height | mm | 720,00 | 890,00 |
| Weigth | Kg | 36,00 | 40,00 |
| Volumen | m3 | | 0,32 |

ELECTRICITY

| <u>Electric power</u> | KW | |
|-----------------------|----|-----------------------|
| 230V -1+N | | 2x2,5+T - 25 A |
| 230V - III | | 3x1,5+T - 16 A |
| 400V - III+N | | 4x1,5+T - 10 A |

WATER

| | |
|---------------------------|--------------|
| Water consumption (lit/h) | 60,00 |
| Pressure (Kg/cm2) | 2 ÷ 4 |

GAS

Not used

STEAM

Not used

AIR

Not used

LEVEL SOUND

(dB) **65,00**

GLASSWASHER CO-400 COLD DD

Front loading glasswasher - EVO Generation - Concept range.
Basket size: 400 x 400 mm.
Hourly production: 30 baskets/hour.
Clearance (max ware height): 275 mm.
Valid for dishes Ø 270 mm.
Wash cycle: 120".
Push button for an optional cold rinse at the end of the cycle

Made of stainless steel.
The door has double skin.

Double rotating wash and rinse systems, above and below, made of stainless steel.

Wash pump: 260 W.
Tank with 2.0 kW heating element.
Tank capacity: 13 litres.

Boiler with 2.8 kW heating element.
Boiler capacity: 4 litres.

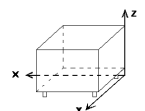
Water consumption: 2 litres/rinse.
Thermostatic temperature control: washing at 60 °C and rinsing at 90 °C.
Security thermostats.

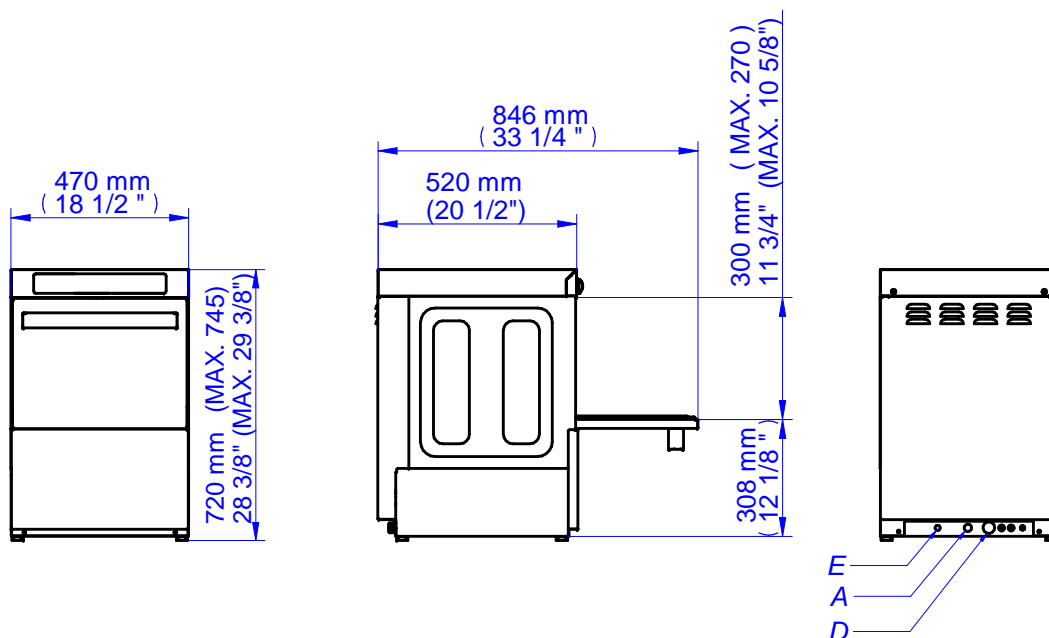
Built-in automatic rinse dispenser and detergent doser.
Built-in non-return valve.
Safety magnetic switch for door opening.
Adjustable legs.

Total power: 3.06 kW.
Dimensions: 470 x 520 x 720 mm.

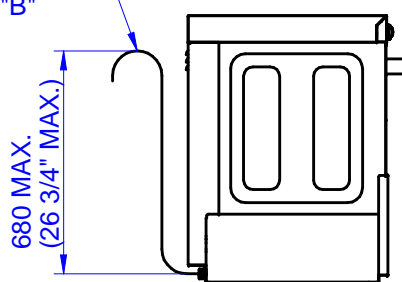
Equipment: one basket 400x400, one supplement for dishes and one cutlery container.

| Connections points | X | Y | Z | Diameter | Information |
|--------------------|-----|----|----|----------|-------------|
| ELECTRICITY | 210 | 50 | 65 | | |
| SOFT COLD WATER | 305 | 50 | 65 | 3/4" | |
| DRAIN | 370 | 50 | 65 | 30 x 25 | |





SOLO MODELOS "B"
ONLY "B" MODELS
SEULEMENT MODÈLES "B"



A: ENTRADA DE AGUA
E: ALIMENTACIÓN ELÉCTRICA
D: DESAGÜE

A: WATER INLET
E: ELECTRICAL CONNECTION
D: DRAIN

A: ARRIVÉE D'EAU
E: CONNEXION ÉLECTRIQUE
D: VIDANGE