



Dishwashing

EVO Generation - Concept

DISHWASHER CO-501 B DD

<u>DIMENSIONS</u>		<u>Article</u>	<u>Packed</u>
Length	mm	600,00	690,00
Depth	mm	610,00	775,00
Height	mm	830,00	1.020,00
Weigth	Kg	70,00	78,00
Volumen	m3		0,55
<u>ELECTRICITY</u>			
<u>Electric power</u>	KW		6,20
230V -1+N			2x6+T - 40 A
230V - III			3x2,5+T - 25 A
400V - III+N			4x2,5+T - 20 A
<u>WATER</u>			
Water consumption (lit/h)			96,00
Pressure (Kg/cm2)			2 ÷ 4
<u>GAS</u>			
Not used			
<u>STEAM</u>		Not used	
<u>AIR</u>		Not used	
<u>LEVEL SOUND</u>		(dB)	63,00

DISHWASHER CO-501 B DD

Front loading dishwasher - EVO Generation - Concept range.
 Hourly production: 40 baskets/hour - 720 dishes/hour.
 Clearance (max ware height): 380 mm.
 Valid for GN-1/1 trays
 Wash cycles: 90"-180".

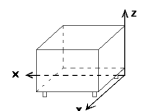
Made of stainless steel.
 Full Double skin body to isolate machine's noise from the environment . The door has double skin with special pressed isolation material, and stamped finishing to improve noise isolation and to keep the heat inside the machine. Rock counterbalanced door. Double spring and stainless steel hinge system. The case allows the placement of the machine under surfaces of 850 mm height.

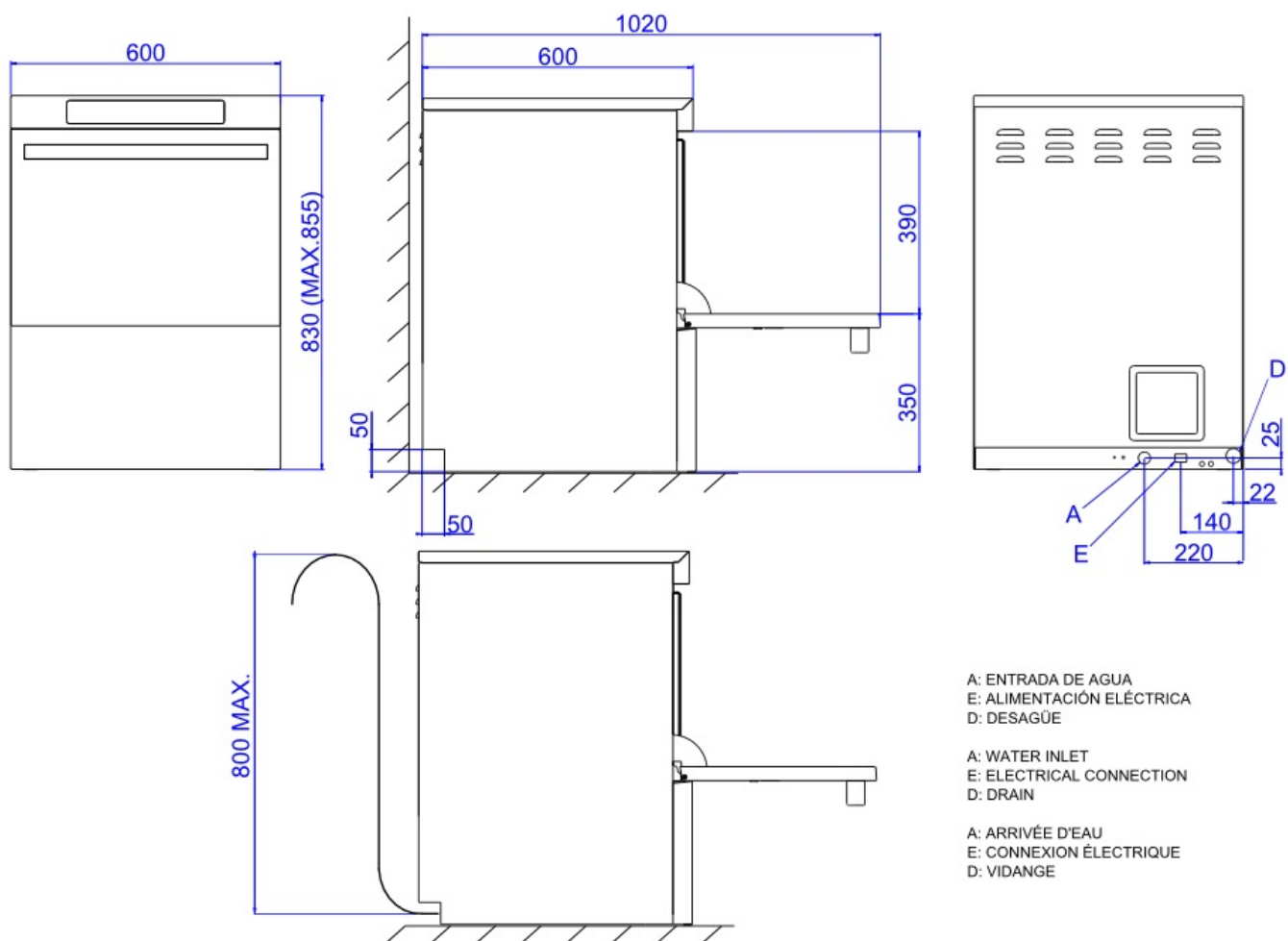
Double rotating wash and rinse systems, above and below, made of stainless steel.
 Tray filters on the tank, made of AISI-304 stainless steel.
 Wash pump: 600 W.
 Drain pump: 30 W. Drainage cycle.
 Tank with 2.8 kW heating element.
 Tank capacity: 20 litres.
 Boiler with multipower heating elements: 1,8 / 2,8 / 3,7 / 5,6 kW.
 Boiler capacity: 7 litres.
 Water consumption: 2.4 litres/rinse.
 Thermostatic temperature control: washing at 60°C and rinsing at 90°C.
 Security thermostats.
 Built-in automatic rinse dispenser.
 Built-in detergent doser.
 Built-in non-return valve.
 Safety magnetic switch for door opening.
 Adjustable legs.
 Water protection rating: IPX4

Total power: multipower 2,4 / 3,4 / 4,3 / 6,2 kW.
 Dimensions: 600 x 600 x 830 mm.

Baskets equipment: 1 x CT-10, 1 x CP-16/18 and 4 cutlery containers.

Connections points	X	Y	Z	Diameter	Information
ELECTRICITY	210	50	65		
SOFT COLD WATER	305	50	65	3/4"	
DRAIN	370	50	65	30 x 25	





Modelos "B" con bomba de vaciado

"B" models with drain pump

Modèles "B" avec pompe de vidange