

Ovens

Supports for ovens

OVEN SUPPORT, SH-11

DIMENSIONS

		<u>Article</u>	<u>Packed</u>
Length	mm	815,00	900,00
Depth	mm	724,00	800,00
Height	mm	650,00	700,00
Weigth	Kg	24,00	35,00
Volumen	m3	0,38	0,50

OVEN SUPPORT, SH-11
 Made of stainless steel.
 Frame in stainless steel tube.
 For use with models 061 and 101
 Dimensions: 815 x 724 x 650 mm.

ELECTRICITY

Not used			0,00

WATER

Not used

GAS

Not used

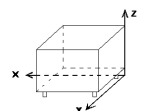
STEAM

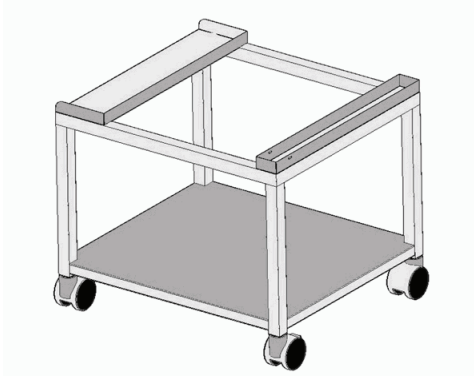
Not used

AIR

Not used

<u>Connections points</u>	<u>X</u>	<u>Y</u>	<u>Z</u>	<u>Diameter</u>	<u>Information</u>





Ovens

Supports for ovens

OVEN SUPPORT, SH-11-R

DIMENSIONS

		<u>Article</u>	<u>Packed</u>
Length	mm	815,00	900,00
Depth	mm	724,00	800,00
Height	mm	650,00	700,00
Weigth	Kg	24,00	35,00
Volumen	m3	0,38	0,50

ELECTRICITY

Not used			0,00
----------	--	--	-------------

WATER

Not used

GAS

Not used

STEAM

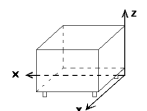
Not used

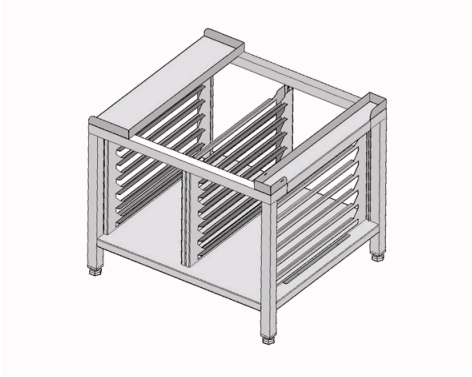
AIR

Not used

OVEN SUPPORT, SH-11-R
 Made of stainless steel.
 Frame in stainless steel tube.
 Model with castors.
 For use with ovens 061 and 101
 Dimensions: 815 x 724 x 650 mm.

<u>Connections points</u>	<u>X</u>	<u>Y</u>	<u>Z</u>	<u>Diameter</u>	<u>Information</u>





Ovens

Supports for ovens

OVEN SUPPORT, SH-11-B

DIMENSIONS

		<u>Article</u>	<u>Packed</u>
Length	mm	815,00	900,00
Depth	mm	724,00	800,00
Height	mm	650,00	700,00
Weigth	Kg	24,00	35,00
Volumen	m3	0,38	0,50

ELECTRICITY

Not used			0,00
----------	--	--	-------------

WATER

Not used

GAS

Not used

STEAM

Not used

AIR

Not used

OVEN SUPPORT, SH-11-B

Made of stainless steel.

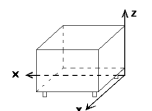
Frame in stainless steel tube.

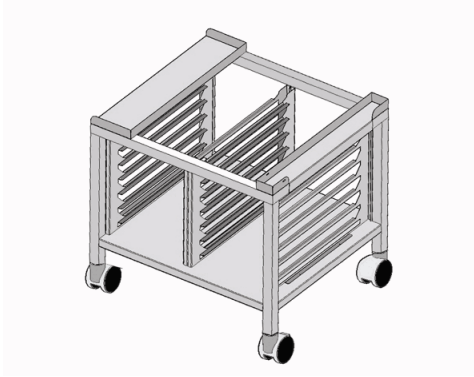
With two kits of 6 guides to place GN-1/1 trays.

For use with models 061 and 101

Dimensions: 815 x 724 x 650 mm.

<u>Connections points</u>	<u>X</u>	<u>Y</u>	<u>Z</u>	<u>Diameter</u>	<u>Information</u>





Ovens

Supports for ovens

OVEN SUPPORT, SH-11-RB

DIMENSIONS

		<u>Article</u>	<u>Packed</u>
Length	mm	815,00	900,00
Depth	mm	724,00	800,00
Height	mm	650,00	700,00
Weigth	Kg	24,00	35,00
Volumen	m3	0,38	0,50

ELECTRICITY

Not used			0,00
----------	--	--	-------------

WATER

Not used

GAS

Not used

STEAM

Not used

AIR

Not used

OVEN SUPPORT, SH-11-RB

Made of stainless steel.

Support with castors.

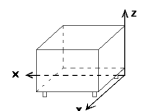
Frame in stainless steel tube.

With two kits of 6 guides to place GN-1/1 trays.

For use with models 061 and 101

Dimensions: 815 x 724 x 650 mm.

<u>Connections points</u>	<u>X</u>	<u>Y</u>	<u>Z</u>	<u>Diameter</u>	<u>Information</u>





Ovens

Supports for ovens

NEUTRAL CABINET SUPPORT, ANH-11

DIMENSIONS

		<u>Article</u>	<u>Packed</u>
Length	mm	815,00	900,00
Depth	mm	725,00	800,00
Height	mm	590,00	700,00
Weigth	Kg	25,00	36,00
Volumen	m3	0,35	0,48

ELECTRICITY

Not used			0,00
----------	--	--	-------------

WATER

Not used

GAS

Not used

STEAM

Not used

AIR

Not used

NEUTRAL CABINET SUPPORT, ANH-11

Made of stainless steel.

Sliding doors.

To use with 061 and 101 ovens models.

Dimensions: 815 x 725 x 590 mm.

Connections points

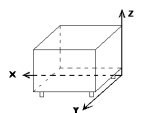
X

Y

Z

Diameter

Information





Ovens

Supports for ovens

HOT CABINET SUPPORT, ACH-11

DIMENSIONS

		<u>Article</u>	<u>Packed</u>
Length	mm	815,00	900,00
Depth	mm	725,00	800,00
Height	mm	650,00	750,00
Weigth	Kg	25,00	36,00
Volumen	m3	0,38	0,48

ELECTRICITY

<u>Electric power</u>	KW	
230V -1+N		2,00
230V - III		2x2,5 + T
400V - III+N		

WATER

Not used

GAS

Not used

STEAM

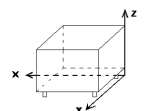
Not used

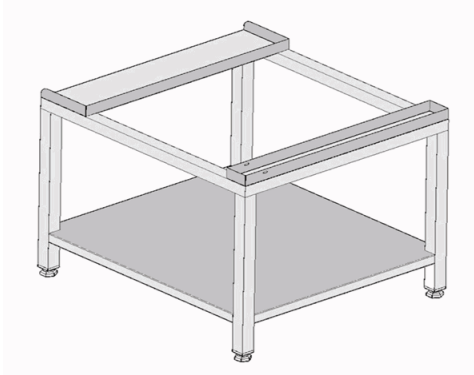
AIR

Not used

HOT CABINET SUPPORT, ACH-11
 Made of stainless steel.
 Hot cabinet - Forced draught.
 Sliding doors.
 To use with 061 and 101 ovens models.
 Dimensions: 815 x 725 x 590 mm.

<u>Connections points</u>	<u>X</u>	<u>Y</u>	<u>Z</u>	<u>Diameter</u>	<u>Information</u>
ELECTRICITY	0	0	150		Prever toma eléctrica





Ovens

Supports for ovens

OVEN SUPPORT, SH-102

DIMENSIONS

		<u>Article</u>	<u>Packed</u>
Length	mm	1.043,00	1.200,00
Depth	mm	870,00	1.000,00
Height	mm	650,00	700,00
Weigth	Kg	28,00	38,00
Volumen	m3	0,59	0,84

ELECTRICITY

Not used			0,00
----------	--	--	-------------

WATER

Not used

GAS

Not used

STEAM

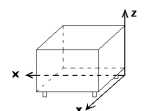
Not used

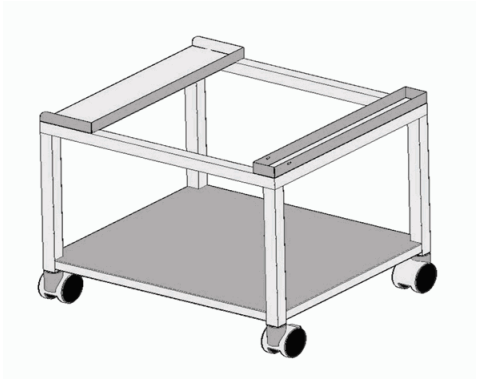
AIR

Not used

OVEN SUPPORT, SH-102
 Made of stainless steel.
 Frame in stainless steel tube.
 To use with models 102.
 Dimensions: 1.043 x 870 x 650 mm.

<u>Connections points</u>	<u>X</u>	<u>Y</u>	<u>Z</u>	<u>Diameter</u>	<u>Information</u>





Ovens

Supports for ovens

OVEN SUPPORT, SH-102-R

DIMENSIONS

		<u>Article</u>	<u>Packed</u>
Length	mm	1.043,00	1.200,00
Depth	mm	870,00	1.000,00
Height	mm	650,00	700,00
Weigth	Kg	28,00	38,00
Volumen	m3	0,59	0,84

ELECTRICITY

Not used			0,00
----------	--	--	------

WATER

Not used

GAS

Not used

STEAM

Not used

AIR

Not used

OVEN SUPPORT, SH-102-R

Made of stainless steel.

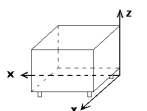
Frame in stainless steel tube.

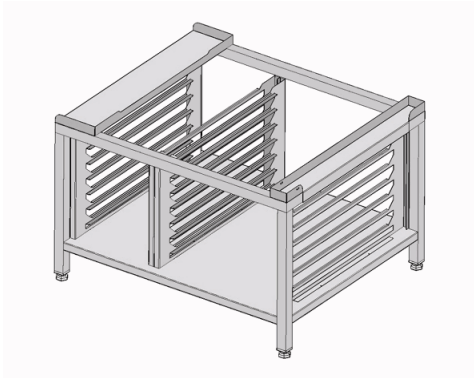
4 castors.

For use with models 102.

Dimensions: 1.043 x 870 x 650 mm.

Connections points	X	Y	Z	Diameter	Information





Ovens

Supports for ovens

OVEN SUPPORT, SH-102-B

DIMENSIONS

		<u>Article</u>	<u>Packed</u>
Length	mm	1.043,00	1.200,00
Depth	mm	870,00	1.000,00
Height	mm	650,00	700,00
Weigth	Kg	28,00	38,00
Volumen	m3	0,59	0,84

ELECTRICITY

Not used			0,00
----------	--	--	-------------

WATER

Not used

GAS

Not used

STEAM

Not used

AIR

Not used

OVEN SUPPORT, SH-102-B

Made of stainless steel.

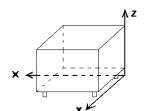
Frame in stainless steel tube.

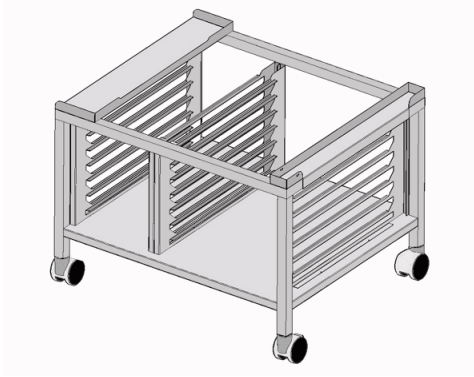
With two kits of 6 guides to place GN-2/1 and GN-1/1 trays.

To use with models 102.

Dimensions: 1.043 x 870 x 650 mm.

<u>Connections points</u>	<u>X</u>	<u>Y</u>	<u>Z</u>	<u>Diameter</u>	<u>Information</u>





Ovens

Supports for ovens

OVEN SUPPORT, SH-102-RB

DIMENSIONS

		<u>Article</u>	<u>Packed</u>
Length	mm	1.043,00	1.200,00
Depth	mm	870,00	1.000,00
Height	mm	650,00	700,00
Weigth	Kg	28,00	38,00
Volumen	m3	0,59	0,84

ELECTRICITY

Not used			0,00
----------	--	--	-------------

WATER

Not used

GAS

Not used

STEAM

Not used

AIR

Not used

OVEN SUPPORT, SH-102-RB

Made of stainless steel.

Frame in stainless steel tube.

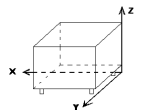
Model with castors.

With two kits of 6 guides to place GN-2/1 and GN-1/1 trays.

To use with models 102.

Dimensions: 1.043 x 870 x 650 mm.

Connections points	X	Y	Z	Diameter	Information
--------------------	---	---	---	----------	-------------





Ovens

Supports for ovens

NEUTRAL CABINET SUPPORT, ANH-102

DIMENSIONS

		<u>Article</u>	<u>Packed</u>
Length	mm	1.050,00	1.200,00
Depth	mm	925,00	1.000,00
Height	mm	590,00	700,00
Weigth	Kg	35,00	40,00
Volumen	m3	0,57	1,00

ELECTRICITY

Not used			0,00
----------	--	--	-------------

WATER

Not used

GAS

Not used

STEAM

Not used

AIR

Not used

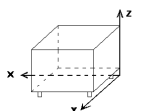
NEUTRAL CABINET SUPPORT, ANH-102

Made of stainless steel.

Sliding doors.

Dimensions: 1.050 x 925 x 590 mm.

Connections points	X	Y	Z	Diameter	Information





Ovens

Supports for ovens

HOT CABINET SUPPORT, ACH-102

DIMENSIONS

		<u>Article</u>	<u>Packed</u>
Length	mm	1.050,00	1.100,00
Depth	mm	925,00	1.000,00
Height	mm	590,00	700,00
Weigth	Kg	35,00	40,00
Volumen	m3	0,57	1,00

ELECTRICITY

<u>Electric power</u>		KW	
230V - 1+N			2,00
230V - III			2x2,5 + T
400V - III+N			

WATER

Not used

GAS

Not used

STEAM

Not used

AIR

Not used

HOT CABINET SUPPORT, ACH-102

Made of stainless steel.

Hot cabinet - Forced draught.

Sliding doors.

Dimensions: 1.050 x 925 x 590 mm.

Connections points

	X	Y	Z	Diameter	Information
ELECTRICITY	0	0	150		Prever toma eléctrica

